

Novaline Style

96635430 NOVS L 5000-840 DI HFI E3D WH

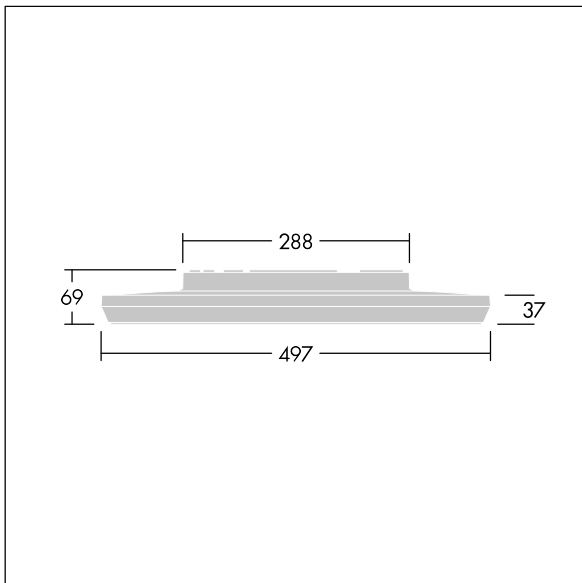
Novaline Style

Decorative circular luminaire with large body. Low indirect component for wall and ceiling illumination. Electronic, DALI dimmable with 3 hour, Self/DALI Addressable test, emergency lighting circuit. Aesthetic trim of the luminaire made of polycarbonate in white. Diffuser: opal polycarbonate. Class II electrical, IP54. Complete with 4000K LED.

Dimensions: Ø497 x 69 mm
 Luminaire input power: 35.2 W
 Luminaire luminous flux: 5000 lm
 Luminaire efficacy: 142 lm/W
 Weight: 3.17 kg



TLG_NOVS_F_5WH.jpg



TLG_NOVS_M_LD500.wmf

This product contains a light source of energy efficiency class C.