

Contrast

96635026 CONT3 12L70 722-840 NB HFX SP ANT

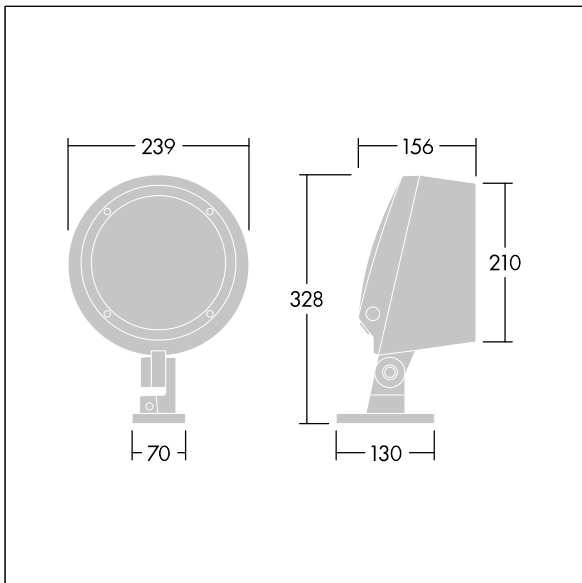
Contrast

A medium architectural floodlight LED floodlight with 12 LEDs driven at 700mA and a narrow beam distribution. LED driver, DALI-2 dimmable. Class II electrical, IP66, IK08. Body: die-cast, powder coated, textured anthracite (close to RAL7043). Compatible with coastal environments. Glass: tempered, 5mm thick. Gasket: EPDM. Screws: geomet. Complete with 2200-4000K balanced white LEDs

Dimensions: Ø239 x 156 mm
 Luminaire input power: 29 W
 Luminaire luminous flux: 2685 lm
 Luminaire efficacy: 93 lm/W
 Weight: 5.1 kg



TLG_CON3_F_S_12L.jpg



TLG_CONL_M_12L.wmf

This product contains a light source of energy efficiency class E.

All values marked with an * are rated values. Thorn uses tried and tested components from leading suppliers, however there may be isolated instances of technology-related failures of individual LEDs during the rated product lifetime. International standards set the tolerance in initial flux and connected load at ±10%. Unless stated otherwise, the values apply to an ambient temperature of 25°C.

Thorn Lighting is constantly developing and improving its products. The right is reserved to change specifications without prior notification or public announcement.
 © Thorn Lighting

Contrast

96635026 CONT3 12L70 722-840 NB HFX SP ANT

THORN