

## Contrast

92929558 CONT3 36L105 827 NB SWD 6K ANT

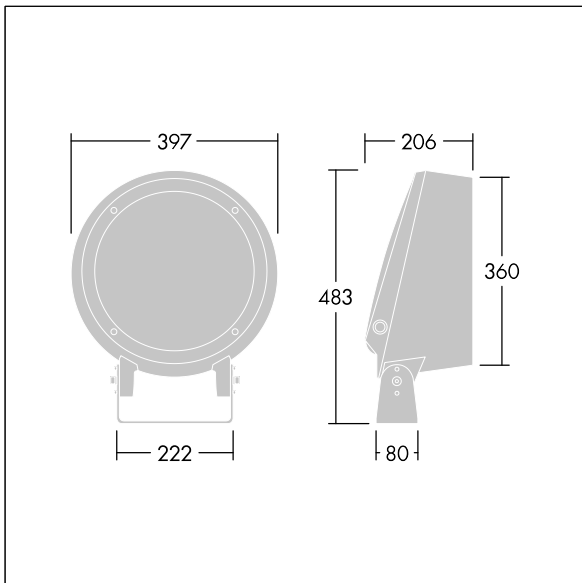
### Contrast

A large architectural Bracket mounted LED floodlight with 36 LEDs driven at 1050mA and a narrow beam distribution. LED driver, SwitchDim dimmable. Class II electrical, IP66, IK08. Body: die-cast, powder coated, textured anthracite (close to RAL7043). Compatible with coastal environments. Glass: tempered, 5mm thick. Gasket: EPDM. Screws: geomet. Complete with 2700K LED

Dimensions: Ø397 x 206 mm  
 Luminaire input power: 117 W  
 Luminaire luminous flux: 10212 lm  
 Luminaire efficacy: 87 lm/W  
 Weight: 13.15 kg



TLG\_CON3\_F\_M\_36L.jpg



TLG\_CONL\_M\_36-52L.wmf

This product contains a light source of energy efficiency class E.