

Contrast

92926511 CONT3 36L105 722 WB SWD 6K ANT

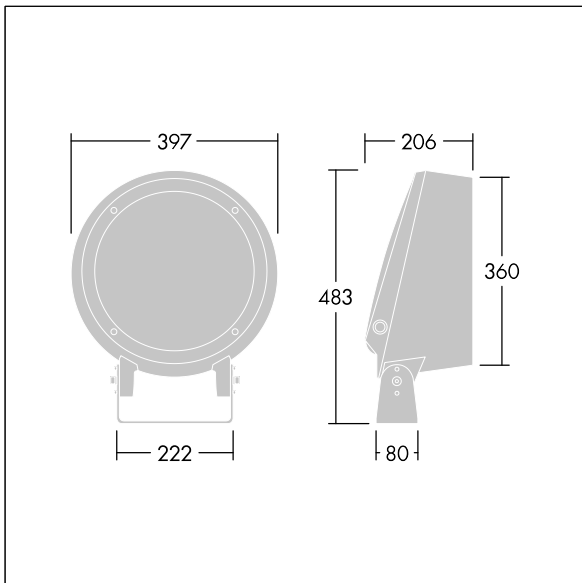
Contrast

A large architectural Bracket mounted LED floodlight with 36 LEDs driven at 1050mA and a wide beam distribution. LED driver, SwitchDim dimmable. Class II electrical, IP66, IK08. Body: die-cast, powder coated, textured anthracite (close to RAL7043). Compatible with coastal environments. Glass: tempered, 5mm thick. Gasket: EPDM. Screws: geomet. Complete with 2200K LED

Dimensions: Ø397 x 206 mm
 Luminaire input power: 117 W
 Luminaire luminous flux: 8253 lm
 Luminaire efficacy: 71 lm/W
 Weight: 13.1 kg



TLG_CON3_F_M_36L.jpg



TLG_CONL_M_36-52L.wmf

This product contains a light source of energy efficiency class E.

Contrast

92926511 CONT3 36L105 722 WB SWD 6K ANT

THORN