

## Contrast

96633444 CONT3 12L105-830 NB HFX 6K ANT

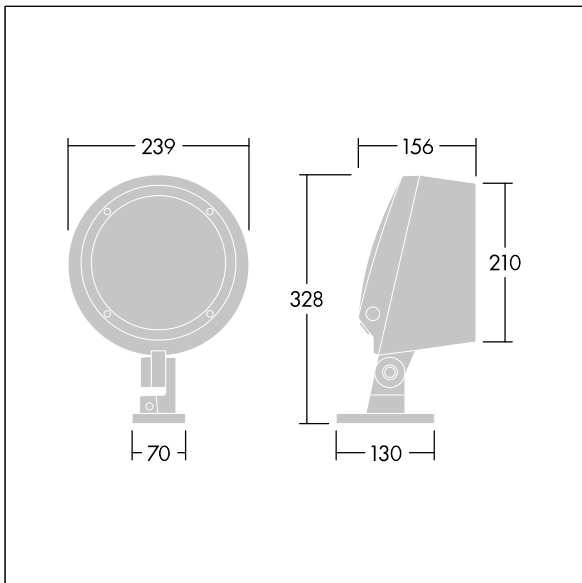
### Contrast

A medium architectural Bracket mounted LED floodlight with 12 LEDs driven at 1050mA and a narrow beam distribution. LED driver, DALI-2 dimmable. Class II electrical, IP66, IK08. Body: die-cast, powder coated, textured anthracite (close to RAL7043). Compatible with coastal environments. Glass: tempered, 5mm thick. Gasket: EPDM. Screws: geomet. Equipped with 6kV surge protection device. Complete with 3000K LED

Dimensions: Ø239 x 156 mm  
 Luminaire input power: 41 W  
 Luminaire luminous flux: 3891 lm  
 Luminaire efficacy: 95 lm/W  
 Weight: 5.07 kg



TLG\_CON3\_F\_S\_12L.jpg



TLG\_CONL\_M\_12L.wmf

This product contains a light source of energy efficiency class D.

**Contrast**

**96633444 CONT3 12L105-830 NB HFX 6K ANT**

**THORN**