

Contrast

96633433 CONT3 4L50-830 NB HF ANT

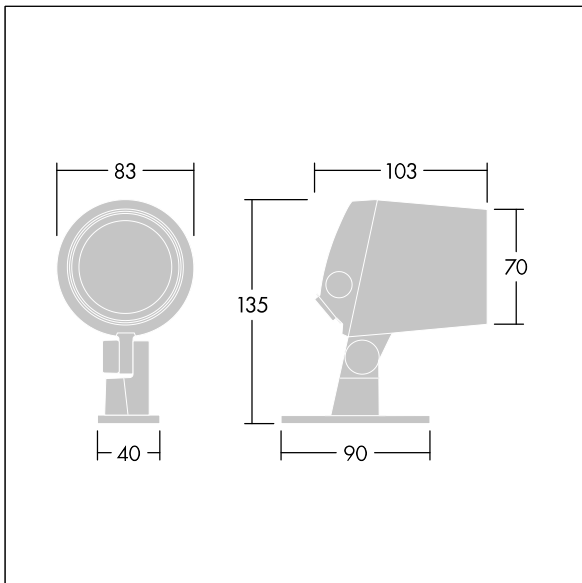
Contrast

A small architectural Bracket mounted LED floodlight with 4 LEDs driven at 500mA and a narrow beam distribution. LED driver, Fixed output. Pre-wired. Class II electrical, IP66, IK08. Body: die-cast, powder coated, textured anthracite (close to RAL7043). Compatible with coastal environments. Glass: tempered, 5mm thick. Gasket: EPDM. Screws: geomet. Complete with 3000K LED

Dimensions: Ø83 x 103 mm
 Luminaire input power: 8 W
 Luminaire luminous flux: 466 lm
 Luminaire efficacy: 58 lm/W
 Weight: 0.91 kg



TLG_CON3_F_XS.jpg



TLG_CONL_M_4L.wmf

This product contains a light source of energy efficiency class F.

Contrast

96633433 CONT3 4L50-830 NB HF ANT

THORN