

# Zeta Pro G2

22666429 ZETA PRO G2 240W 730 150X70 CL1 10kV

THORN

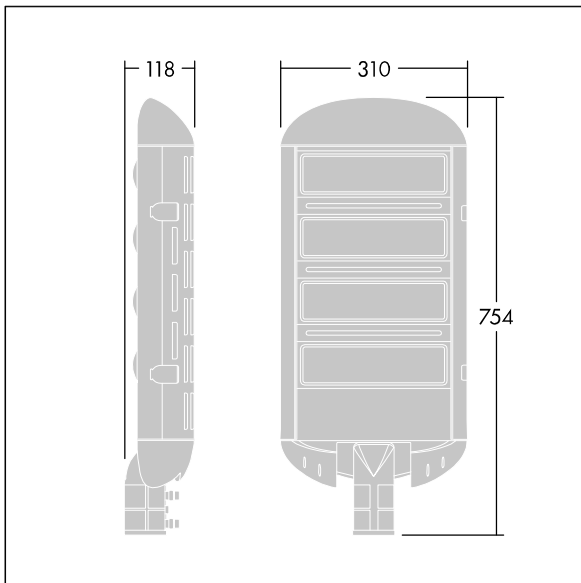
## Zeta Pro G2

Pole mounted LED streetlight. Body: die-cast aluminium. Diffuser: polycarbonate. Special lens suitable for street lighting applications. 220VAC, 50/60Hz. 10kV surge protection, IP66, IK08, Class I electrical. Complete with 3000K LED

Dimensions: 754 x 310 x 118 mm  
Luminaire input power: 236.2 W  
Luminaire luminous flux: 25720 lm  
Luminaire efficacy: 109 lm/W  
Weight: 9.5 kg



TLG\_ZETA\_F\_PDB4.jpg



TLG\_ZETA\_M\_LD4.wmf

All values marked with an \* are rated values. Thorn uses tried and tested components from leading suppliers, however there may be isolated instances of technology-related failures of individual LEDs during the rated product lifetime. International standards set the tolerance in initial flux and connected load at  $\pm 10\%$ . Unless stated otherwise, the values apply to an ambient temperature of 25°C.

Thorn Lighting is constantly developing and improving its products. The right is reserved to change specifications without prior notification or public announcement.  
© Thorn Lighting

# Zeta Pro G2

22666429 ZETA PRO G2 240W 730 150X70 CL1 10kV

THORN