

# PopPack

96631541 POPPACK LED 3000-840 HFI E3 L1200

THORN

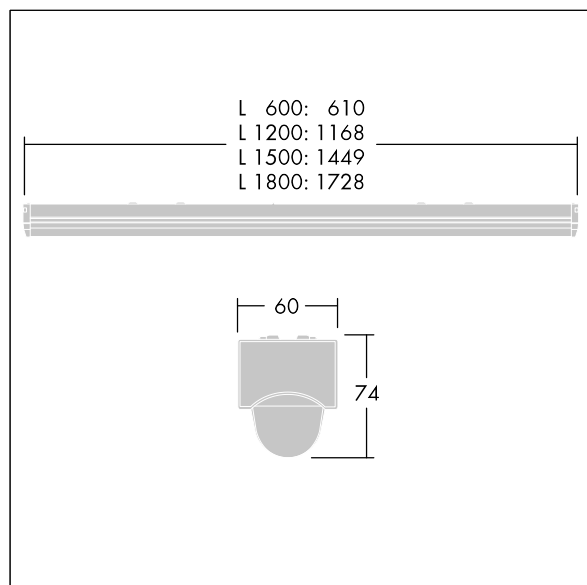
## PopPack

Batten LED luminaire. Electronic, DALI dimmable control gear with 3 hour, manual test, emergency lighting circuit. Body: coated, formed steel, white (RAL9016). End caps: injection moulded polycarbonate, white. Diffuser: textured opal acrylic. Electrical connection via (3 + 3) x 2 x 2.5mm<sup>2</sup> terminal block. Complete with 4000K LED

Dimensions: 1168 x 60 x 74 mm  
Luminaire input power: 23.9 W  
Luminaire luminous flux: 3350 lm  
Luminaire efficacy: 140 lm/W  
Weight: 2 kg



TLG\_POPL\_F\_PDB\_EMPTY.jpg



TLG\_POPL\_M\_LD1.wmf

This product contains a light source of energy efficiency class D.

All values marked with an \* are rated values. Thorn uses tried and tested components from leading suppliers, however there may be isolated instances of technology-related failures of individual LEDs during the rated product lifetime. International standards set the tolerance in initial flux and connected load at  $\pm 10\%$ . Unless stated otherwise, the values apply to an ambient temperature of 25°C.

Thorn Lighting is constantly developing and improving its products. The right is reserved to change specifications without prior notification or public announcement.  
© Thorn Lighting