

Formula LED

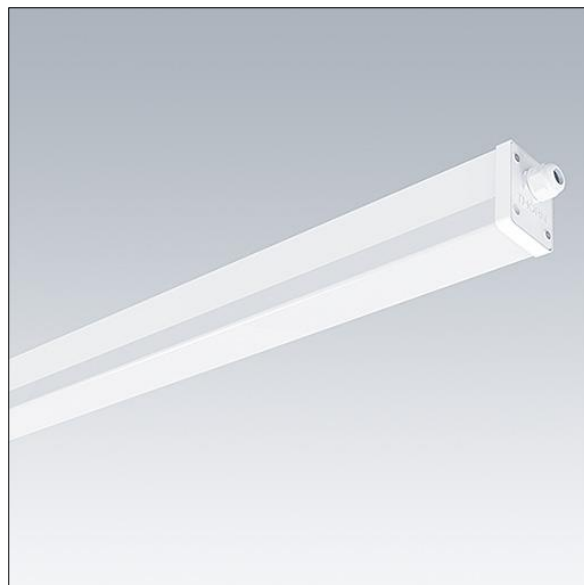
22666196 FORMULA LED4000-865 L1250 HF IP65

THORN

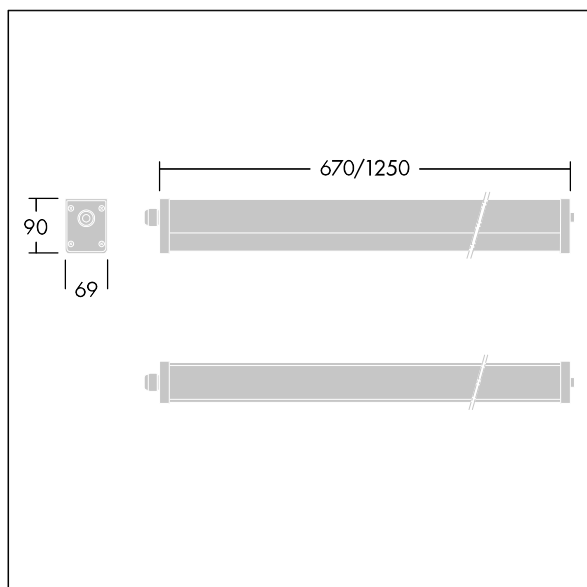
Formula LED

A surface mounted linear LED luminaire. Electronic, fixed output control gear. IP65. Body: extruded aluminium powder coated white. Diffuser: PC opal. End-cap: die-cast aluminium powder coated white with self-retained screws. Complete with 6500K LED

Dimensions: 1250 x 69 x 90 mm
Luminaire input power: 33.7 W
Luminaire luminous flux: 4020 lm
Luminaire efficacy: 119 lm/W
Weight: 2.2 kg



TLG_FORM_F_IP65.jpg



TLG_FORM_M_LD65.wmf

All values marked with an * are rated values. Thorn uses tried and tested components from leading suppliers, however there may be isolated instances of technology-related failures of individual LEDs during the rated product lifetime. International standards set the tolerance in initial flux and connected load at $\pm 10\%$. Unless stated otherwise, the values apply to an ambient temperature of 25°C.

Thorn Lighting is constantly developing and improving its products. The right is reserved to change specifications without prior notification or public announcement.
© Thorn Lighting