

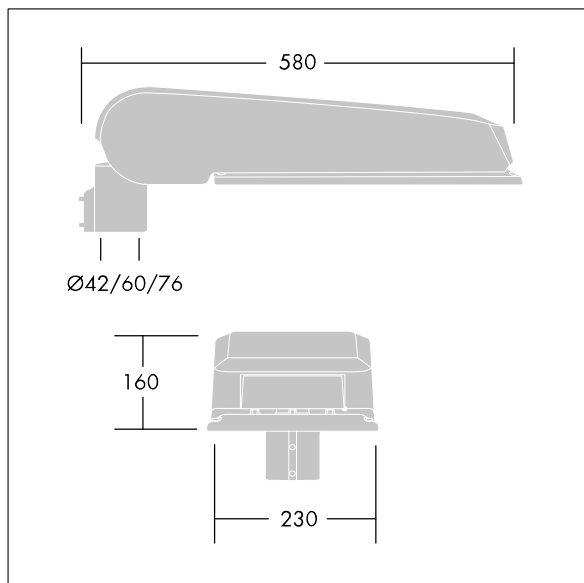
CiviTEQ

A large size LED road lighting lantern with 60 LEDs driven at 700mA with Extra Wide Road optic. Electronic, fixed output control gear. Class II electrical, IP66, IK08. Housing: die-cast aluminium (EN AC-44300), Light grey 150 sanded textured (close to RAL9006). Enclosure: toughened flat glass. Screws: stainless steel, Ecolubric® treated. Supplied with Ø60mm spigot adaptor which can be fitted for post-top (0°/5°/10° tilt) or side-entry (-20°/-15°/-10°/-5°/0° tilt). Equipped with 50% power reduction circuit, effective 3 hours before and 5 hours after a calculated midnight. It can be deactivated at installation with an easily accessible internal switch. Complete with 4000K LED. Surge protection: 10kV single pulse common mode and 8kV multipulse common mode and 6kV multipulse differential mode. If permanent DALI system is connected, 6kV multipulse common and differential mode.

Dimensions: 580 x 230 x 160 mm
 Luminaire input power: 125 W
 Luminaire luminous flux: 18706 lm
 Luminaire efficacy: 150 lm/W
 Weight: 9.6 kg
 Scx: 0.115 m²



TLG_CTEQ_F_LMTP72LEDPDB.jpg



TLG_CETQ_M_L.wmf

This product contains light sources of energy efficiency classes D, E.

CiviTEQ

96643215 CQ 60L70 740 EWR BS 3550 CL2 M60 GY-S

THORN