

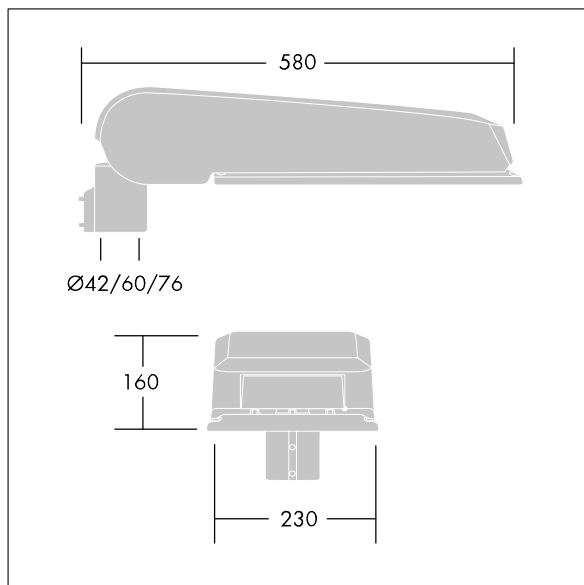
### CiviTEQ

A large size LED road lighting lantern with 60 LEDs driven at 350mA with Road & Comfort optic. Electronic, fixed output control gear. Class II electrical, IP66, IK08. Housing: die-cast aluminium (EN AC-44300), Light grey 150 sanded textured (close to RAL9006). Enclosure: toughened flat glass. Screws: stainless steel, Ecolubric® treated. Supplied with Ø60mm spigot adaptor which can be fitted for post-top (0°/5°/10° tilt) or side-entry (-20°/-15°/-10°/-5°/0° tilt). Equipped with 50% power reduction circuit, effective 3 hours before and 5 hours after a calculated midnight. It can be deactivated at installation with an easily accessible internal switch. Complete with 4000K LED. Surge protection: 10kV single pulse common mode and 8kV multipulse common mode and 6kV multipulse differential mode. If permanent DALI system is connected, 6kV multipulse common and differential mode.

Dimensions: 580 x 230 x 160 mm  
 Luminaire input power: 62 W  
 Luminaire luminous flux: 10608 lm  
 Luminaire efficacy: 171 lm/W  
 Weight: 9.6 kg  
 Scx: 0.115 m<sup>2</sup>



TLG\_CTEQ\_F\_LMTP72LEDPDB.jpg



TLG\_CETQ\_M\_L.wmf

This product contains light sources of energy efficiency classes D, E.

All values marked with an \* are rated values. Thorn uses tried and tested components from leading suppliers, however there may be isolated instances of technology-related failures of individual LEDs during the rated product lifetime. International standards set the tolerance in initial flux and connected load at ±10%. Unless stated otherwise, the values apply to an ambient temperature of 25°C.

**CiviTEQ**

**96643105 CQ 60L35 740 RC BS 3550 CL2 M60 GY-S**

**THORN**