

MovU PIR Lateral

96270765 ISARO 36L70 NR EFL 740 CL2 COR MTP60 8M

THORN

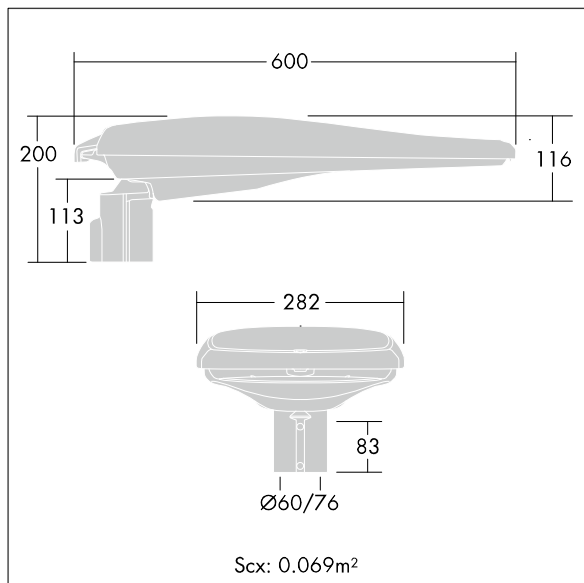
MovU PIR Lateral coordinated luminaires

An LED road and street lantern, designed for durability with narrow road distribution. Electronic, fixed output control gear. Class II electrical, IP66, IK08. Body: die-cast aluminium, powder coated grey. Bracket: die-cast aluminium, unpainted. Enclosure: flat glass. Suitable for post top mounting on Ø60mm spigot or side mounting on Ø49-60mm spigot. Variable tilting in 5° steps, post top: 0° to +10°, lateral: -20° to 0°. Cable gland for Ø8 to 12mm cable. Delivered, ready to install, in a single carton. Complete with 4000K LED

Luminaire input power: 79 W
Dimensions: 600 x 282 x 116 mm
Weight: 5.4 kg
Scx: 0.069 m



TLG_ISRO_F_LEDMTPEFLPDB.jpg



TLG_ISRO_M_LED.wmf

All values marked with an * are rated values. Thorn uses tried and tested components from leading suppliers, however there may be isolated instances of technology-related failures of individual LEDs during the rated product lifetime. International standards set the tolerance in initial flux and connected load at ±10%. Unless stated otherwise, the values apply to an ambient temperature of 25°C.

Thorn Lighting is constantly developing and improving its products. The right is reserved to change specifications without prior notification or public announcement.
© Thorn Lighting