

MovU PIR Post Top

96270761 AVN F2 LED 18L70 R/S CL2 COR W5M L740

THORN

MovU PIR Post Top

Decorative post-top lantern with symmetric distribution.
Class II electrical, IP66, IK08. Base and arms: die-cast aluminium (EN AC-46000), Canopy: spun aluminium, all powder coated dark sandy grey 900 (close to RAL7043). Diffuser: clear polycarbonate. Screw fixings: stainless steel. Supplied complete in one box, pre-wired with 4m HO5 VVF cable. Complete with 4100K LED

Post top mounted on a spigot of $\varnothing 60\text{mm}$, length 100mm.

Dimensions: $\varnothing 700/700 \times 500 \text{ mm}$

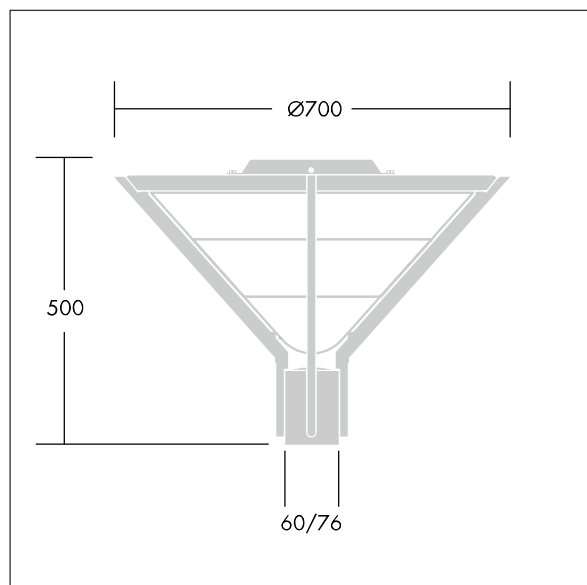
Luminaire input power: 41 W

Weight: 9 kg

Scx: 0.17 m²



TLG_AVNE_F_FLEDLIT.jpg



TLG_AVEF_M_LD1.wmf

All values marked with an * are rated values. Thorn uses tried and tested components from leading suppliers, however there may be isolated instances of technology-related failures of individual LEDs during the rated product lifetime. International standards set the tolerance in initial flux and connected load at $\pm 10\%$. Unless stated otherwise, the values apply to an ambient temperature of 25°C.

Thorn Lighting is constantly developing and improving its products. The right is reserved to change specifications without prior notification or public announcement.
© Thorn Lighting