

# MovU PIR Post Top

96270758 AVN F2 LED 18L70 WST CL2 COR W5M L740

THORN

## MovU PIR Post Top

Decorative post-top lantern with street distribution. Class II electrical, IP66, IK08. Base and arms: die-cast aluminium (EN AC-46000), Canopy: spun aluminium, all powder coated dark sandy grey 900 (close to RAL7043). Diffuser: clear polycarbonate. Screw fixings: stainless steel. Supplied complete in one box, pre-wired with 4m HO5 VVF cable. Complete with 4100K LED

Post top mounted on a spigot of Ø60mm, length 100mm.

Dimensions: Ø700/700 x 500 mm

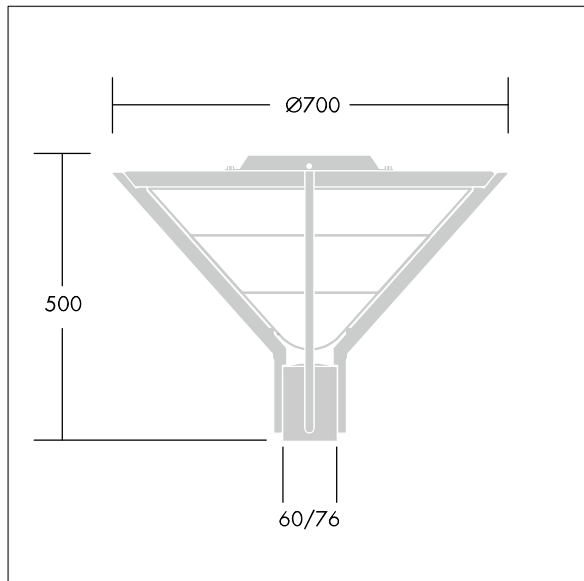
Luminaire input power: 40 W

Weight: 9.3 kg

Scx: 0.17 m<sup>2</sup>



TLG\_AVNE\_F\_FLEDSTREETLIT.jpg



TLG\_AVEF\_M\_LD1.wmf

All values marked with an \* are rated values. Thorn uses tried and tested components from leading suppliers, however there may be isolated instances of technology-related failures of individual LEDs during the rated product lifetime. International standards set the tolerance in initial flux and connected load at ±10%. Unless stated otherwise, the values apply to an ambient temperature of 25°C.

Thorn Lighting is constantly developing and improving its products. The right is reserved to change specifications without prior notification or public announcement.  
© Thorn Lighting

# MovU PIR Post Top

96270758 AVN F2 LED 18L70 WST CL2 COR W5M L740

THORN