

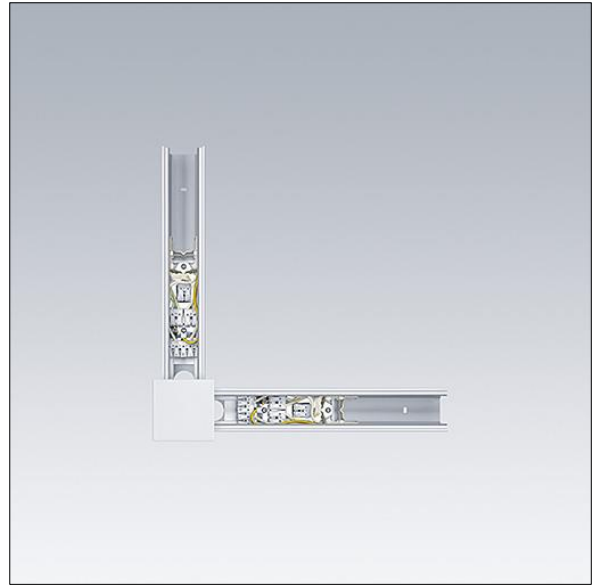
## Contus

96635838 CONTUS T-VL1 WH

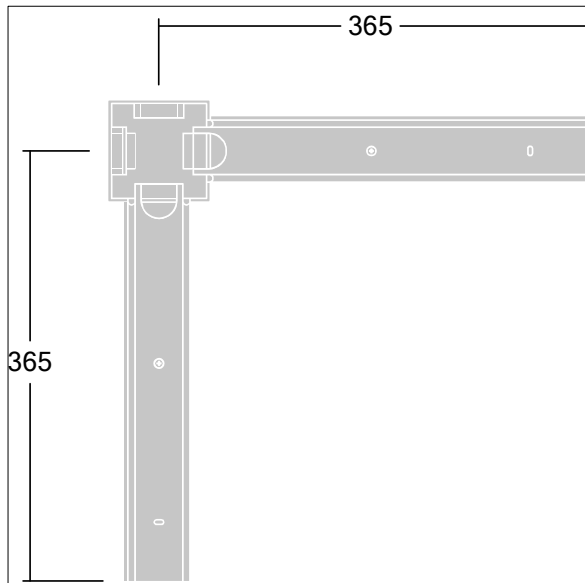
### Contus

L shaped mechanical and electrical connector, white.  
Features two female ends for mechanical connection and 2 groups of terminal blocks for electrical feed in, or feed out.

Weight: 1.35 kg



TLG\_CONT\_F\_T\_VL1.jpg



TL\_CONTUS\_M\_L1\_Node\_Connector.wmf