

# Indubay

## 22666305 INDUBAY LED G2 LED18000-840 HF

THORN

### Indubay

A pendant mounted circular LED high bay luminaire with Electronic, fixed output control gear. Heat sink: die-cast aluminium. Reflector: aluminium alloy. PC lens also offer a comfortable lighting effect. Surge protection: 4kV. Complete with 4000K LED.

Dimensions: Ø500 x 360 mm

Luminaire input power: 138.7 W

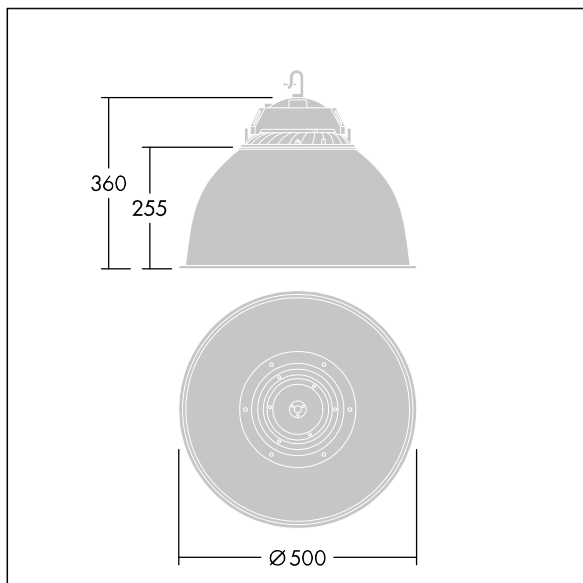
Luminaire luminous flux: 17351 lm

Luminaire efficacy: 125 lm/W

Weight: 3.2 kg



TLG\_INDC\_F\_G2.jpg



TLG\_INDC\_M\_500D.wmf

All values marked with an \* are rated values. Thorn uses tried and tested components from leading suppliers, however there may be isolated instances of technology-related failures of individual LEDs during the rated product lifetime. International standards set the tolerance in initial flux and connected load at  $\pm 10\%$ . Unless stated otherwise, the values apply to an ambient temperature of 25°C.

Thorn Lighting is constantly developing and improving its products. The right is reserved to change specifications without prior notification or public announcement.  
© Thorn Lighting

**Indubay**

**22666305 INDUBAY LED G2 LED18000-840 HF**

**THORN**