

22666303 INDUBAY LED G2 LED7500-840 HF

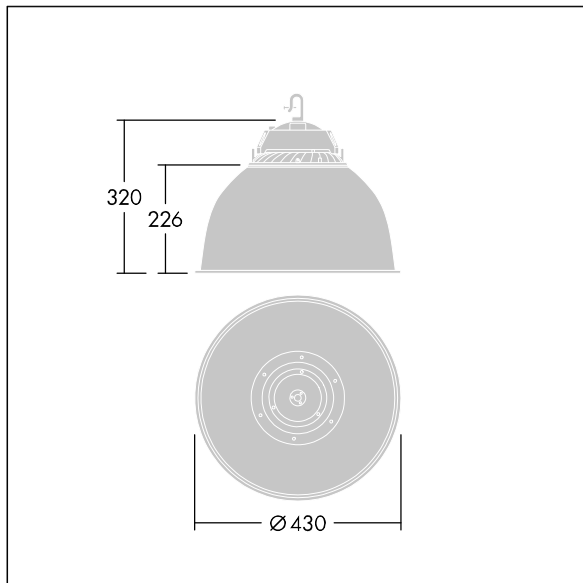
Indubay

A pendant mounted circular LED high bay luminaire with Electronic, fixed output control gear. Heat sink: die-cast aluminium. Reflector: aluminium alloy. PC lens also offer a comfortable lighting effect. Surge protection: 4kV. Complete with 4000K LED.

Dimensions: Ø430 x 320 mm
Luminaire input power: 60.3 W
Luminaire luminous flux: 7595 lm
Luminaire efficacy: 126 lm/W
Weight: 2.2 kg



TLG_INDC_F_G2.jpg



TLG_INDC_M_430D.wmf

Indubay

22666303 INDUBAY LED G2 LED7500-840 HF

THORN