

IP65


 ta:
35°C
IEC
60598

1. Switch off power before operation & maintenance
操作或维护前请确保关上电源



0.5m

2. LED floodlight should be positioned at least 0.5m away from any object
LED 泛光灯必须安装于距离被照射物件最少0.5米或以上



3. The components of LED floodlight including LED light source, power/signal cable shall only be installed or replaced by the manufacture or his service agent or similar qualified person
LED 泛光灯的配件, 包括LED光源, 电源/信号线只能由制造商, 服务代理或其他合格的专业人士进行安装或更换

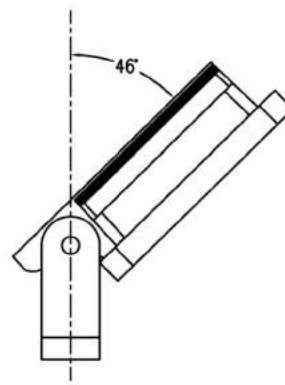
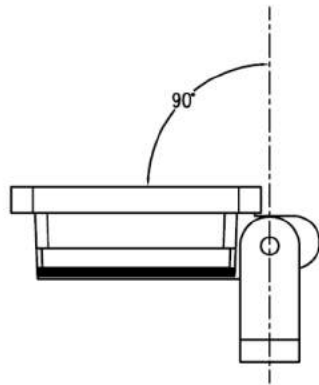
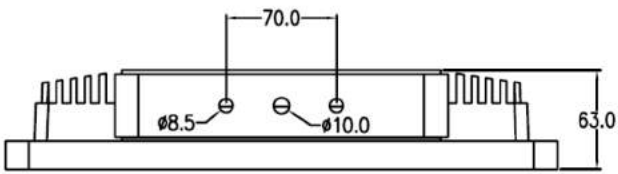
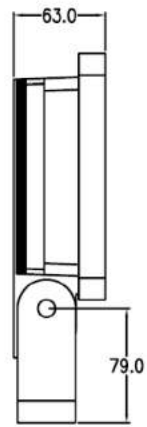
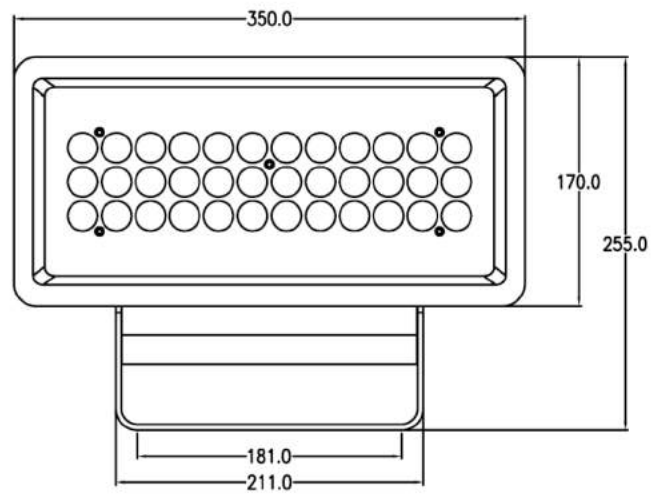


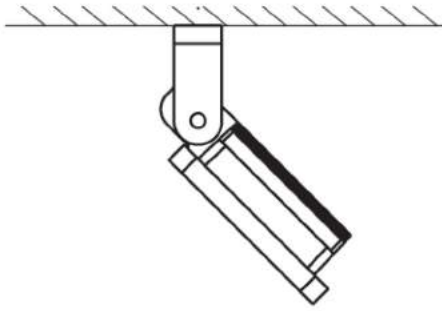
4. This LED floodlight is not suitable for direct mounting on any flammable surfaces
此LED泛光灯不允许安装在任何可燃物的表面上

Product Description (产品描述)	SAP CODE (SAP号)
QBAMAX LED G2 830 36W 15D	22665371
QBAMAX LED G2 830 36W 25D	22665372
QBAMAX LED G2 830 36W 60D	22665373
QBAMAX LED G2 840 36W 15D	22665374
QBAMAX LED G2 840 36W 25D	22665375
QBAMAX LED G2 840 36W 60D	22665376
QBAMAX LED G2 RGB 36W 15D	22665377
QBAMAX LED G2 RGB 36W 25D	22665378
QBAMAX LED G2 RGB 36W 60D	22665379

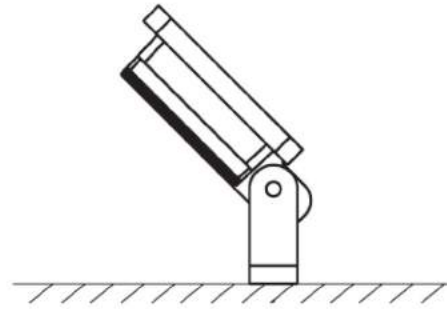
1

QBAMAX LED G2 830/840/RGB

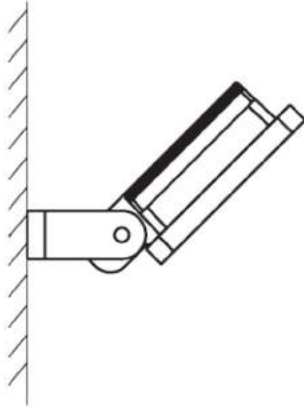




吊装式



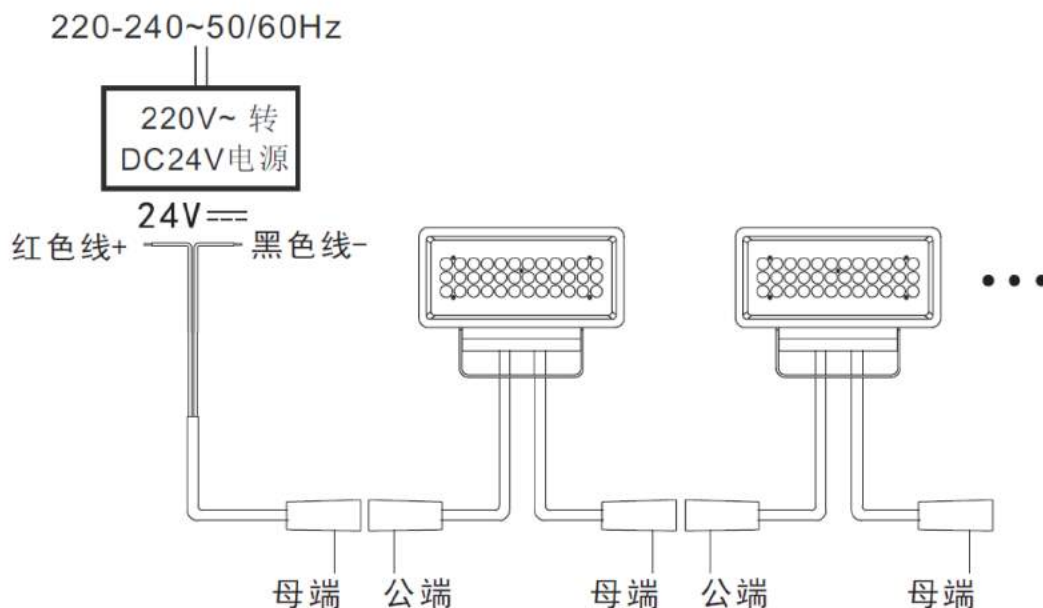
座式



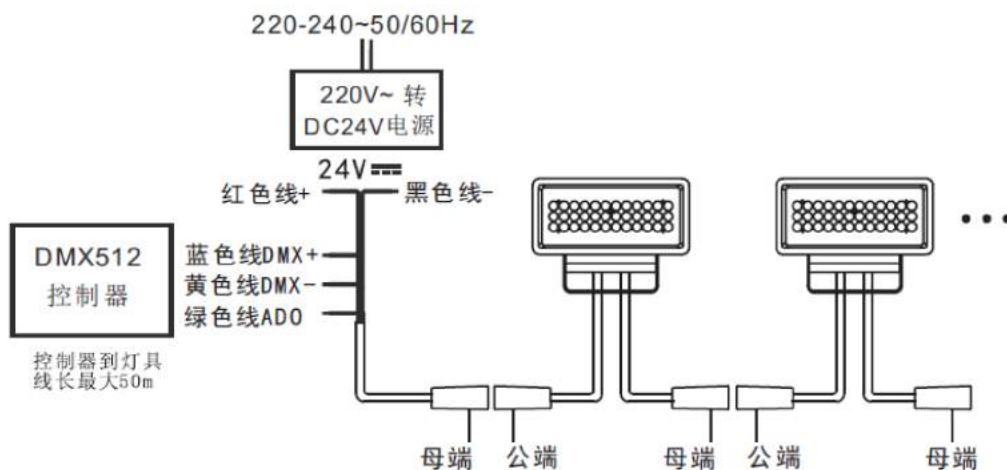
壁装式

1. 灯具具体电压和功率请参考相应的产品标签
2. 最大投影面积0.12平方米
3. 灯具出光角可以是15/25/60度中任选一个型号
4. 灯具重约3.9KG, 安装高度<3米

QBAMAX LED G2 830/840 单色泛光灯接线图



QBAMAX LED G2 RGB 泛光灯接线图



公端输入



- 1/(红) ● V+
- 2/(黑) ● V-
- 3/(蓝) ● DMX+
- 4/(黄) ● DMX-
- 5/(绿) ● ADI

母端输出



- 1/(红) ● V+
- 2/(黑) ● V-
- 3/(蓝) ● DMX+
- 4/(黄) ● DMX-
- 5/(绿) ● ADO

恒压电源最大可连接的泛光灯数量 = 恒压电源功率 X 效率 / 每套泛光灯功率
 例: 200W恒压电源最大可连接的泛光灯数量为4套,泛光灯功率为36W

每个恒压电源回路, 最多只可连接5套泛光灯, 如超过5套, 请从恒压电源重新接线, 否则会出现5套泛光灯以后的灯具不够亮的情况, 同时会出现电流过大导致灯具失效的风险

恒压电源与泛光灯最远距离为10米