

Plurio LED

96272373 PLU R 18L105 NST BPSW CL1 D76 L730

THORN

Plurio LED

Decorative, post-top lantern with LED package with electronic driver. Class I electrical, IP66, IK08. Base in cast aluminium, powder coated silver-grey. Canopy in round shape, made from aluminium textured silver-grey (close to RAL9006). UV stabilised polycarbonate clear diffuser with anti-glare prisms. Internal narrow street reflector. Supplied complete in one box. Complete with 3000K LED

To be post top mounted on a spigot of $\text{Ø}76\text{mm}$, length 100mm.

Dimensions: $\text{Ø}564 \times 564 \text{ mm}$

Total power: 60 W

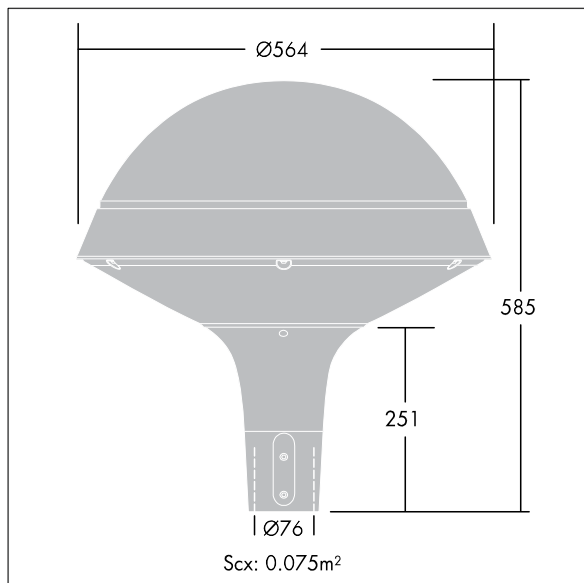
Weight: 8.1 kg

Scx: 0.073m^2

Luminaire efficacy: 72 lm/W



TLG_PLRO_F_LEDSTREETRND.jpg



TLG_PLRO_M_SPHRd76.wmf

All values marked with an * are rated values. Thorn uses tried and tested components from leading suppliers, however there may be isolated instances of technology-related failures of individual LEDs during the rated product lifetime. International standards set the tolerance in initial flux and connected load at $\pm 10\%$. Colour temperature is subject to a tolerance of up to ± 150 Kelvin from the nominal value. Unless stated otherwise, the values apply to an ambient temperature of 25°C .

In most products the failure of one LED point causes no functional impairment to the lighting performance of the luminaire and is therefore no reason for complaint. Unless otherwise stated all Thorn LED products are suitable for unrestricted use (rated RG0 or RG1) with regard photobiological blue light safety (IEC/EN60598-1).

Thorn Lighting is constantly developing and improving its products. The right is reserved to change specifications without prior notification or public announcement.
© Thorn Lighting