

Optus IV Suspended

96209650 OPTUS IV DI 2x35W HFSI GRY DSB ML L840

Optus IV Suspended

A suspended luminaire with a modern slim design, suitable for both office and school applications. For 2x35W T16 lamp(s). Electronic, DALI / DSI digital dimmable control gear. Integral mini-sensa head for full presence, daylight and remote control. Body: extruded aluminium with powder coated aluminium matt grey finish. End Caps: die-cast zinc and satinbrite louvre in anodised aluminium. 60:40 direct/indirect light distribution. Class I electrical, IP20. Electrical connection via factory fitted 3 x 0.75mm² non halogen cable. Pre-mounted Quick Lock wire suspension kit included. Complete with 840 lamp(s).

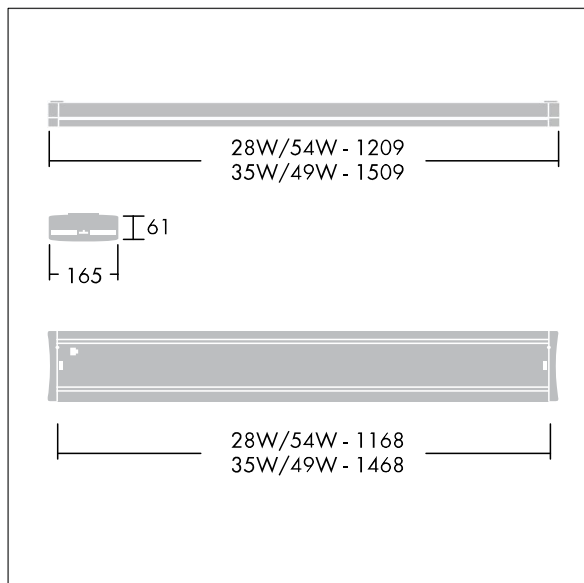
Dimensions: 1509 x 165 x 61 mm

Total power: 74.5 W

Weight: 3.2 kg



TLG_OPT4_F_DISGL.jpg



TLG_OPT4_M_SUSP.wmf