

R2L2

96274651 R2L2 M 96L90 WS 740 CL2

R2L2

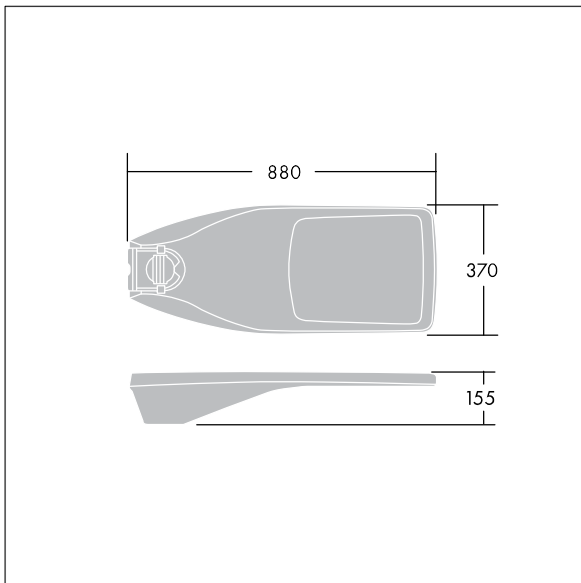
A medium size LED road lighting lantern with 96 LEDs driven at 900mA with Wide Street optic. Electronic, fixed output control gear. Class II electrical, IP66, IK08. Housing: die-cast aluminium, powder coated textured light grey. Diffuser: tempered flat glass. Screws: stainless steel, Ecolubric® treated. Post top (Ø60/76mm, tilted 0°/5°/10°) or lateral (Ø34/42/49/60mm, tilted 0°/-5°/-10°/-15°) mounting. Complete with 4000K LED.

For lateral mounting to Ø34/42mm spigots an adaptor (59005490 R2L2 MA34/42 NPA) should be ordered separately.

Dimensions: 880 x 370 x 155 mm
 Total power: 271 W
 Weight: 14.3 kg
 Scx: 0.06 m²



TLG_R2L2_F_MPDB.jpg



TLG_R2L2_M_LDM.wmf

All values marked with an * are rated values. Thorn uses tried and tested components from leading suppliers, however there may be isolated instances of technology-related failures of individual LEDs during the rated product lifetime. International standards set the tolerance in initial flux and connected load at ±10%. Colour temperature is subject to a tolerance of up to +/-150 Kelvin from the nominal value. Unless stated otherwise, the values apply to an ambient temperature of 25°C.

In most products the failure of one LED point causes no functional impairment to the lighting performance of the luminaire and is therefore no reason for complaint. Unless otherwise stated all Thorn LED products are suitable for unrestricted use (rated RG0 or RG1) with regard photobiological blue light safety (IEC/EN60598-1).

Thorn Lighting is constantly developing and improving its products. The right is reserved to change specifications without prior notification or public announcement.
 © Thorn Lighting

R2L2

96274651 R2L2 M 96L90 WS 740 CL2

THORN