

## Olsys Illumination

96274084 OLSYS1 20L70-740 2X6° CL1

### Olsys Illumination

An LED floodlight with symmetric distribution for creating lighting effects. Electronic, Class I electrical, IP66, IK08. Body: die-cast aluminium (AS9U), powder coated silver-grey (RAL 9006). Enclosure: clear polycarbonate. Optics: polycarbonate. Supplied in one box, ready to install. Mounting attachments to be ordered separately. Complete with 4000K LED

Dimensions: 330 x 225 x 59 mm

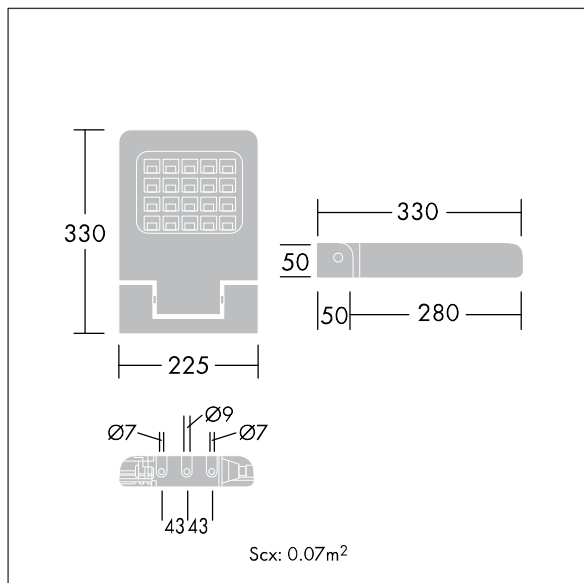
Total power: 47 W

Weight: 2.8 kg

Scx: 0.07 m<sup>2</sup>



TLG\_OSYS\_F\_1INTPDB.jpg



TLG\_OSYS\_M\_ILLUM1.wmf

All values marked with an \* are rated values. Thorn uses tried and tested components from leading suppliers, however there may be isolated instances of technology-related failures of individual LEDs during the rated product lifetime. International standards set the tolerance in initial flux and connected load at  $\pm 10\%$ . Colour temperature is subject to a tolerance of up to  $\pm 150$  Kelvin from the nominal value. Unless stated otherwise, the values apply to an ambient temperature of 25°C.

In most products the failure of one LED point causes no functional impairment to the lighting performance of the luminaire and is therefore no reason for complaint. Unless otherwise stated all Thorn LED products are suitable for unrestricted use (rated RG0 or RG1) with regard photobiological blue light safety (IEC/EN60598-1).

Thorn Lighting is constantly developing and improving its products. The right is reserved to change specifications without prior notification or public announcement.  
© Thorn Lighting

# Olsys Illumination

96274084 OLSYS1 20L70-740 2X6° CL1

THORN