

Primata Pro

96627501 PR PRO L1525 LED 6000-840 HF AC WH

THORN

Primata Pro

Energy efficient LED batten luminaire for use with Primata II trunking system. Body: sheet steel, painted white. Diffuser: extruded acrylic. Class I electrical, IP20. Attaches to trunking via two turnbuckles, providing instant electrical connection via fixed plug and socket. Phase selection at connector. Complete with 4000K LED

Dimensions: 1525 x 60 x 110 mm

Total power: 47 W

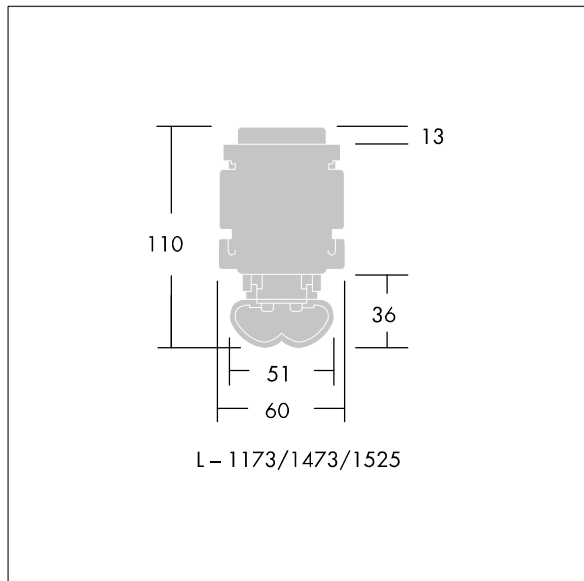
Luminaire luminous flux: 6020 lm

Luminaire efficacy: 128 lm/W

Weight: 1.9 kg



TLG_PM2L_F_LEDPDB.jpg



TLG_PPRO_M_LD1.wmf

All values marked with an * are rated values. Thorn uses tried and tested components from leading suppliers, however there may be isolated instances of technology-related failures of individual LEDs during the rated product lifetime. International standards set the tolerance in initial flux and connected load at $\pm 10\%$. Colour temperature is subject to a tolerance of up to ± 150 Kelvin from the nominal value. Unless stated otherwise, the values apply to an ambient temperature of 25°C .

In most products the failure of one LED point causes no functional impairment to the lighting performance of the luminaire and is therefore no reason for complaint. Unless otherwise stated all Thorn LED products are suitable for unrestricted use (rated RG0 or RG1) with regard photobiological blue light safety (IEC/EN60598-1).

Thorn Lighting is constantly developing and improving its products. The right is reserved to change specifications without prior notification or public announcement. © Thorn Lighting

Primata Pro

96627501 PR PRO L1525 LED 6000-840 HF AC WH

THORN