

Supertrack 2

96108053 SUPERTRACK2 4M T3c MSF WH

Supertrack 2

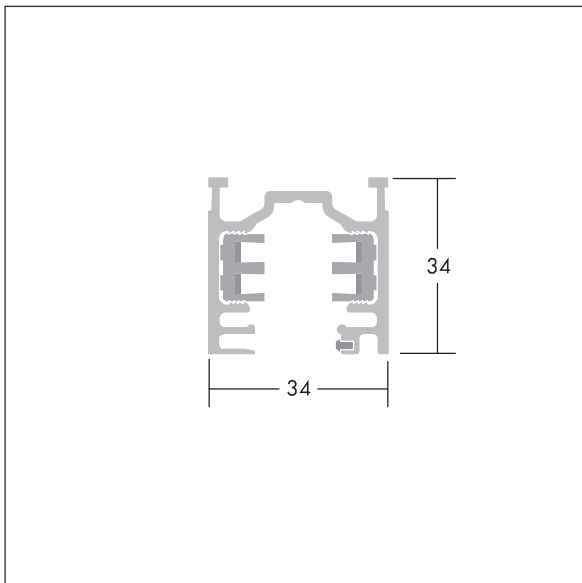
3 phase track unit, 4000mm length. Made from extruded aluminium, finished in white. For installation on ceiling, wall or pendant mounting. IP20, class I electrical. Maximum installed load 3 x 3,680W = 11,040W. Fuse protection 3 x 16A. Feed cable 5 x 1.5mm² minimum.

Dimensions: 4000 x 34 x 34 mm

Weight: 4.2 kg



TLG_TRKS_F_2PDBWH.jpg



TLG_TRKS_M_TRK.wmf