

SPECIFICATION

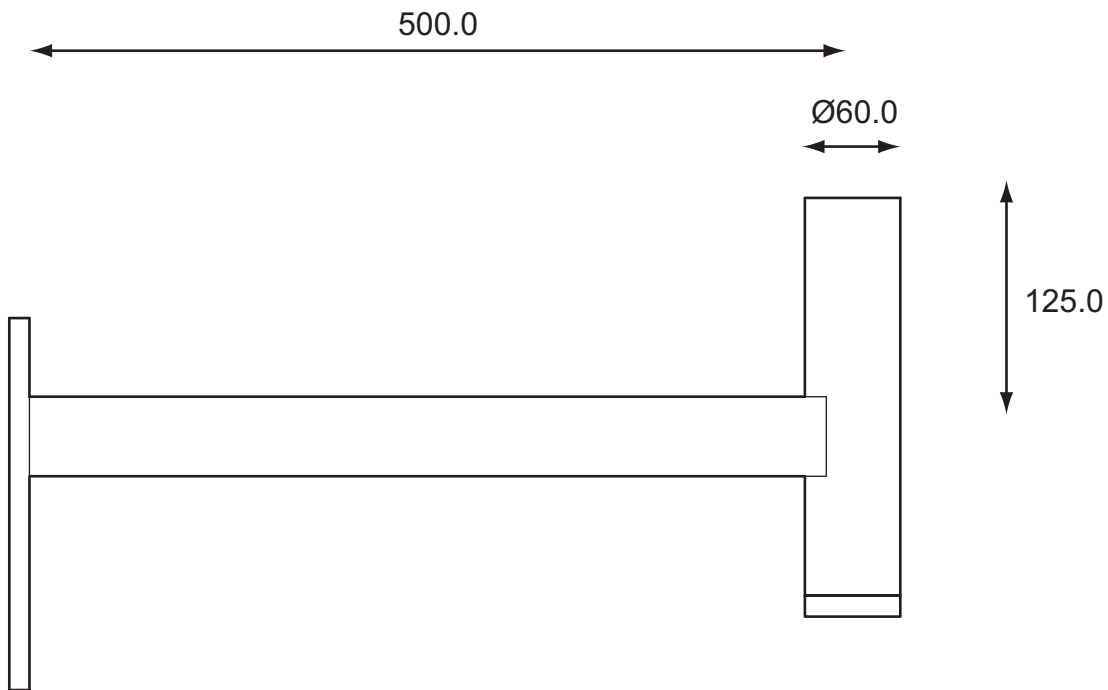
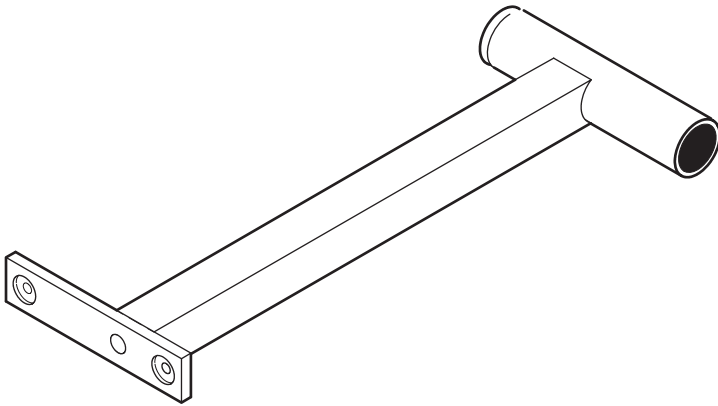
6082 T6 ALUMINIUM ALLOY  
MACHINE BRUSHED FINISH  
BONDED TUBE COVER

Ø60MM x 100MM LANTERN SPIGOT

TO FIT QCB BRACKET SPIGOT ONLY  
2x M10 BOLT FIXING

ALL DIMENSIONS IN MILIMETERS

MASS : 1.5Kg



STANDARDS

WELDING PROCEDURES STANDARD  
BSEN 288 PART 4: 1992

WELDING OPERATIVE CERTIFICATION  
BSEN 287 PART 2

WELDING MATERIALS & CONSUMABLES  
BS2901 PART 4

COLUMNS DESIGN & VERIFICATION  
EN40-3-3:2003

THORN 500MM PARALLEL BRACKET

**THORN**

SAP : 96227950

OLD CAT CODE : QCBPAR50