

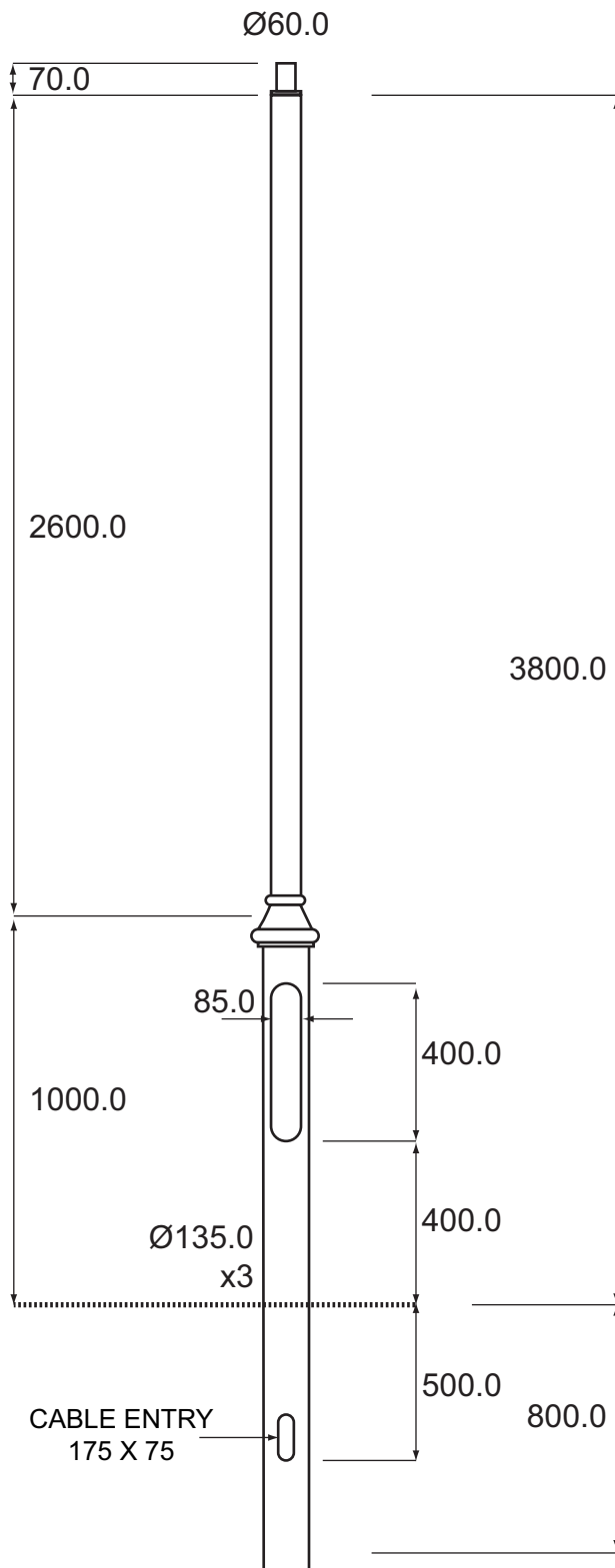
SPECIFICATION

76MM SHAFT DIAMETER  
135MM BASE COLUMN  
6063 ALUMINIUM ALLOY  
STANDARD MACHINE BRUSHED FINISH  
DUAL DOOR LOCKS  
EARTH PIN IN DOOR  
HARDWOOD BACKBOARD  
STANDARD REINFORCEMENT TUBE  
THERMOPLAST ROOT PROTECTION  
COLUMN BASE PROTECTOR  
MODERN TOWN EMBELISHMENT  
Ø60MM x 70MM SPIGOT

ALL DIMENSIONS IN MILIMETERS

QCB BRACKET MOUNTING ONLY

MASS : 14.7Kg



THORN 4M 135 BASE CITYSCAPE  
COLUMN + SPIGOT

**THORN**

SAP : 96227924

OLD CAT CODE : QCMT4.60