

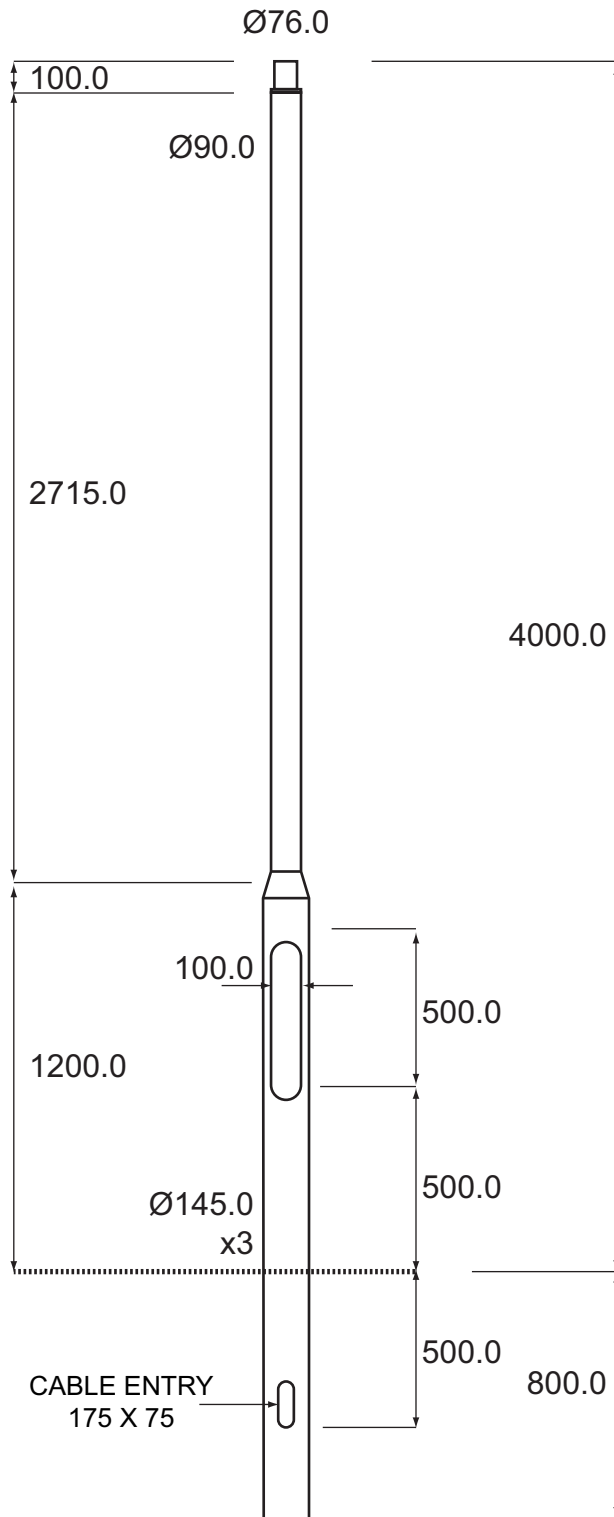
SPECIFICATION

76MM TOP DIAMETER
90MM SHAFT DIAMETER
145MM BASE COLUMN
6063 ALUMINIUM ALLOY
STANDARD MACHINE BRUSHED FINISH
DUAL DOOR LOCKS
EARTH PIN IN DOOR
HARDWOOD BACKBOARD
STANDARD REINFORCEMENT TUBE
THERMOPLAST ROOT PROTECTION
COLUMN BASE PROTECTOR
Ø76MM x 100MM SPIGOT PENETRATION

ALL DIMENSIONS IN MILLIMETERS

POST TOP MOUNTED LANTERNS ONLY

MASS : 16.90Kg



THORN 4M 145 BASE 1200MM
STEPPED COLUMN

THORN

SAP : 96227885

OLD CAT CODE : ACS14540/76